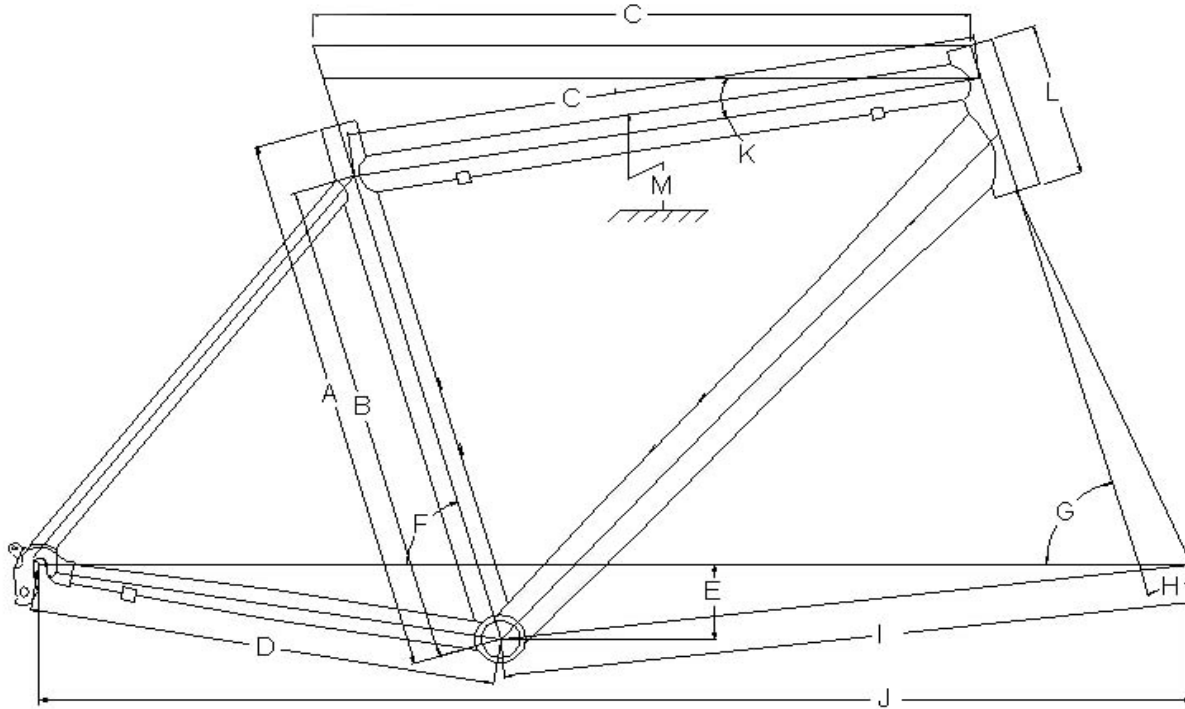


KHS Bicycle Geometry



MODEL	FRAME SIZE		A s/t c-t	B s/t c-c	C t/t	C' t/t'	D c/s	E drop	F s/t°	G h/t°	H rake	I fc	J wb	K t/t°	L h/t L	M s.o.	Ø s/t ID
	nominal	actual c t"															
T-Rex	12" boy	12.6"	320	275	518.1	500	424	25	72	70	33	564.8	987.5	27	110	666	27.2
	12" girl	12.6L"	320	170	518.1	529	424	25	72	70	33	564.8	987.5	39	110	n/a	27.2
Raptor	11" boy	11"	280	235	488.3	460	385	4	70	70	33	522	906.9	24	110	579	27.2
	11" girl	11"L	280	155	488.3	474	385	4	70	70	33	522	906.9	34	110	n/a	27.2