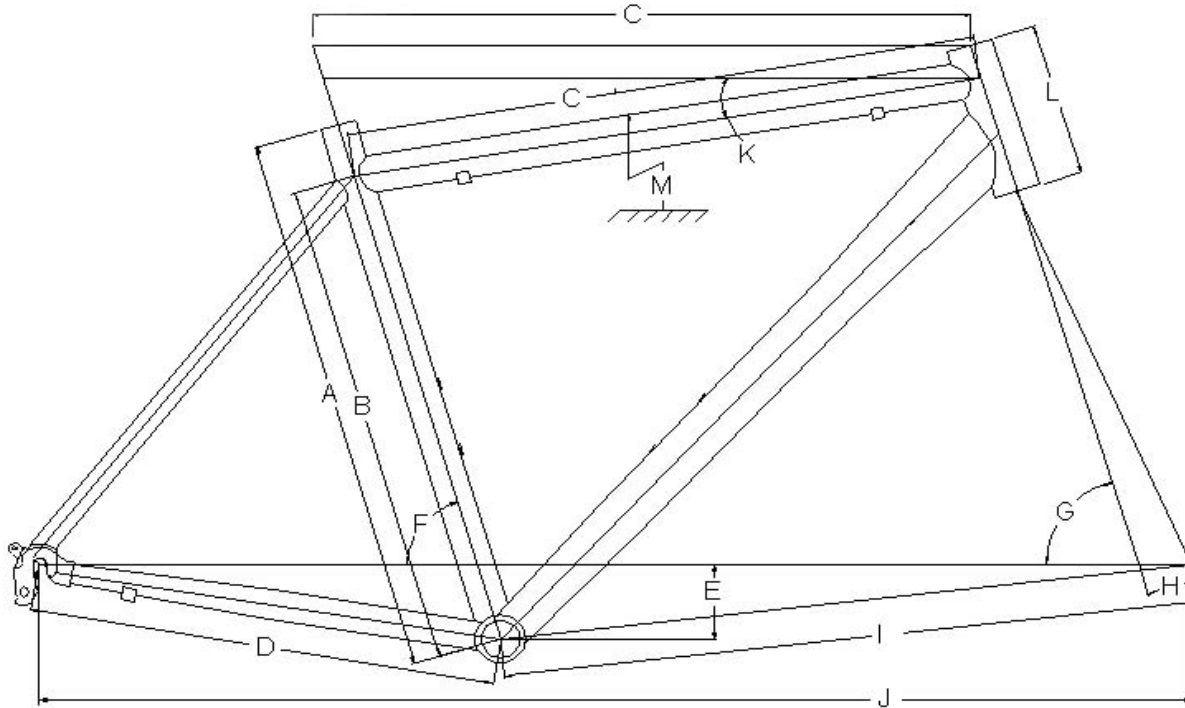


KHS Bicycle Geometry



MODEL	FRAME SIZE		A s/t c-t	B s/t c-c	C t/t	C' t/t'	D c/s	E drop	F s/t°	G h/t°	H rake	I fc	J wb	K t/t°	L h/t L	M s.o.	Ø s/t ID
	nominal	actual c t"															
Flite 3000 Flite 900 Flite 750	S		490	445	520	510.10	405	70	75	71.75	44	579.60	974.20	5.1	120	744	27.2
	M		525	480	545	533.20	405	70	74	73	44	584.20	978.90	5.6	145	774	27.2
	L		550	505	560	546.00	405	70	73	73	44	588.80	983.50	5.7	170	797	27.2
	XL		575	530	575	561.00	405	70	73	73	44	603.70	998.50	5.6	195	821	27.2
	XXL		600	555	590	578.00	405	70	73	73	44	618.60	1013.50	4.5	210	840	27.2
Flite 700	S		470	413	522.00	507.7	410	75	75.0	72.0	45	579.6	977.8	10.30	120	726	27.2
	M		520	475	545.00	533.3	410	72	74.0	73.0	45	584.8	984.0	5.60	140	767	27.2
	L		550	505	565.00	551.1	410	72	73.0	73.0	45	594.4	993.7	5.70	170	794	27.2
	XL		580	535	580.00	567.1	410	72	73.0	73.0	45	609.3	1008.7	5.00	195	821	27.2
	XL		600	555	590	580.50	410	72	73	73	45	619.20	1018.60	3.4	200	832	27.2
Flite 500 Flite 300	S		470	420	521.00	506.3	415	75	75.0	72.0	45	579.0	982.3	10.70	116	731	27.2
	M		525	475	545.00	532.0	415	70	74.0	73.0	45	585.2	990.1	6.30	135	770	27.2
	L		555	505	565.00	550.4	415	70	73.0	73.0	45	594.8	999.7	5.90	160	795	27.2
	XL		585	535	580.00	565.6	415	70	73.0	73.0	45	609.7	1014.7	5.70	190	824	27.2
	XXL		600	550	590	576.60	415	70	73	73	45	619.60	1024.70	5.1	200	836	27.2