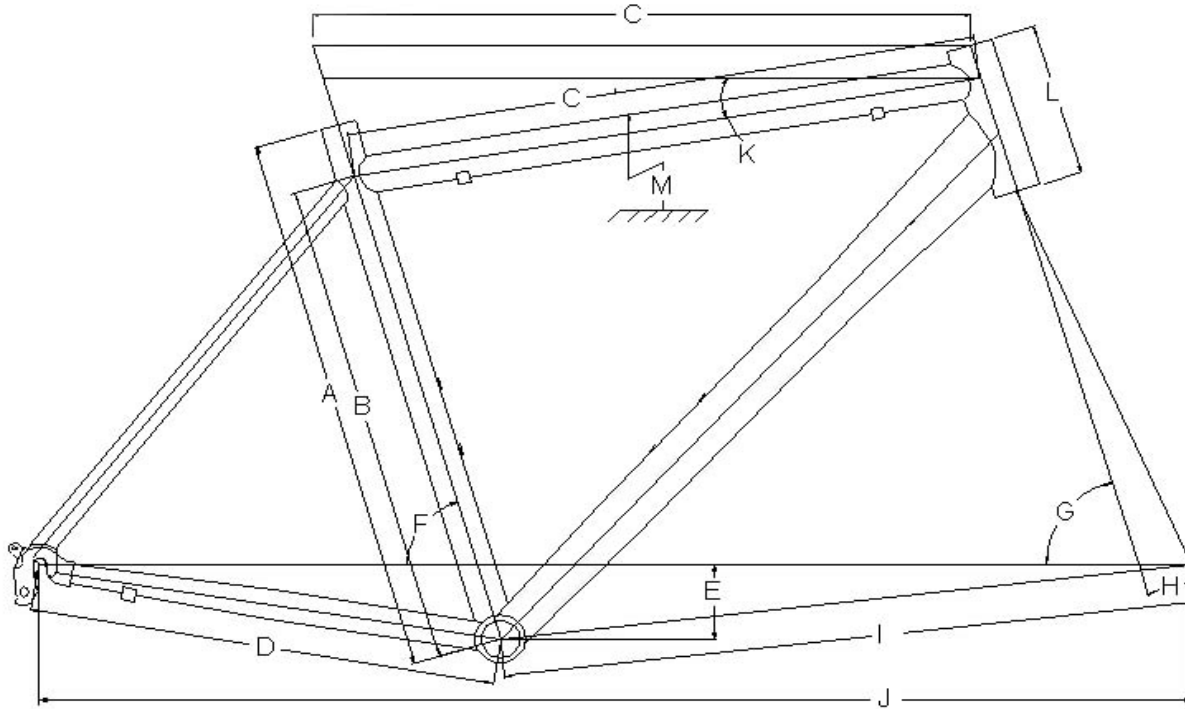


KHS Bicycle Geometry



MODEL	FRAME SIZE		A s/t c-t	B s/t c-c	C t/t	C' t/t'	D c/s	E drop	F s/t°	G h/t°	H rake	I fc	J wb	K t/t°	L h/t L	M s.o.	Ø s/t ID
	nominal	actual c t"															
Solo-One	S	15.6"	397	324	549.3	535	413.1	40	74	71	38	608.9	1030.7	24.4	110	726	26.8
	M	18"	457	390	587.8	565	413.1	40	74	71	38	645.9	1067.8	15.9	110	760	26.8
	L	20"	508	444	604.3	585	413.1	40	74	71	38	664.4	1086.31	10.7	122	790	26.8
	XL	22"	559	494	612.2	600	413.1	40	74	71	38	672.3	1094.22	5.6	122	815	26.8