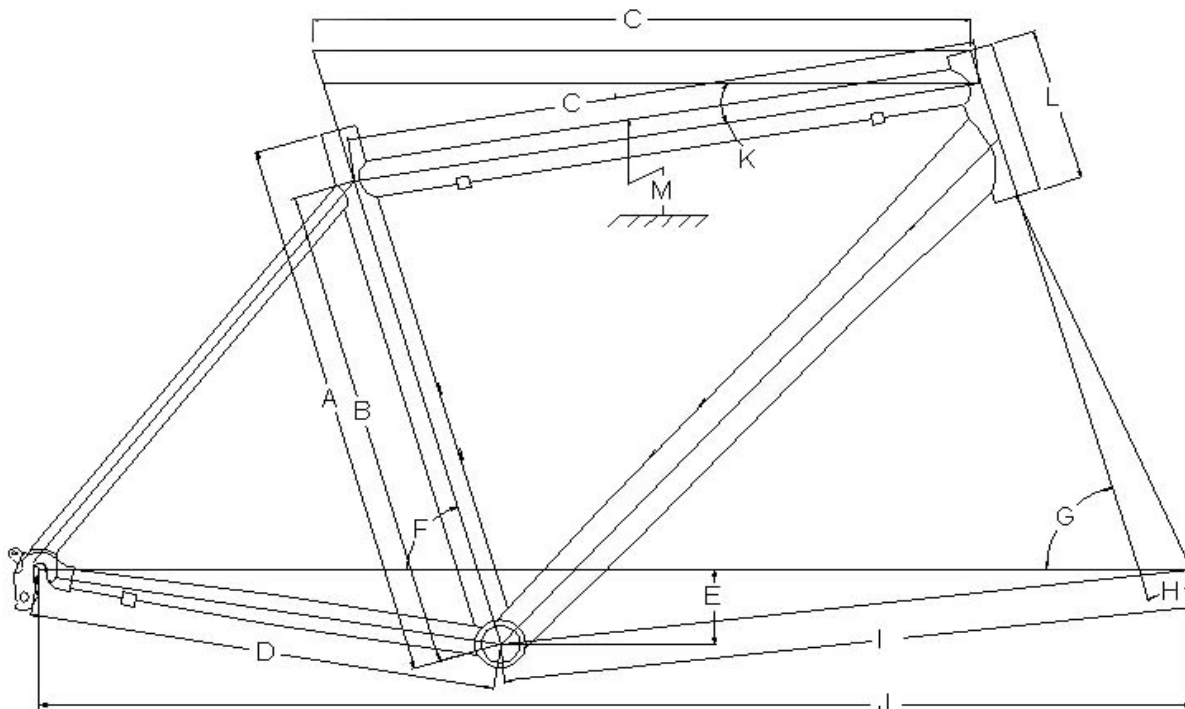


KHS Bicycle Geometry



MODEL	FRAME SIZE		A s/t c-t	B s/t c-c	C t/t	C' t/t'	D c/s	E drop	F s/t°	G h/t°	H rake	I fc	J wb	K t/t°	L h/t L	M s.o.	Ø s/t ID
	nominal	actual c t"															
Xtreme	15"	15"	381	341	548.1	530	440	60	74	71	45	609	1041.9	20.90	110	709	26.8
	17"	17"	432	392	565.4	545	440	60	74	71	45	626.3	1059.3	14.70	110	733	26.8
	19"	19"	483	443	577.8	560	440	60	74	71	45	639.1	1072.2	9.9	120	762	26.8
	21"	21"	533	493	589.8	580	440	60	74	71	45	651.2	1084.2	4.6	120	798	26.8
Xress	15"	15"	381	341	548.1	530	440	60	74	71	45	609	1041.9	20.90	110	709	26.8
	17"	17"	432	392	565.4	545	440	60	74	71	45	626.3	1059.3	14.70	110	733	26.8
	19"	19"	483	443	577.8	560	440	60	74	71	45	639.1	1072.2	9.9	120	762	26.8
	21"	21"	533	493	589.8	580	440	60	74	71	45	651.2	1084.2	4.6	120	785	26.8
Urban-X	16"	16.1"	410	328	567.4	544.9	425	40	73	72	40	609	1030.7	20.1	110	705	27.2
	18"	18.1"	460	378	589.6	565	425	40	73	72	40	630.1	1051.9	14.2	110	738	27.2
	20"	20.1"	510	428	606.5	585	425	40	73	72	40	647.19	1068.92	9.9	110	768	27.2